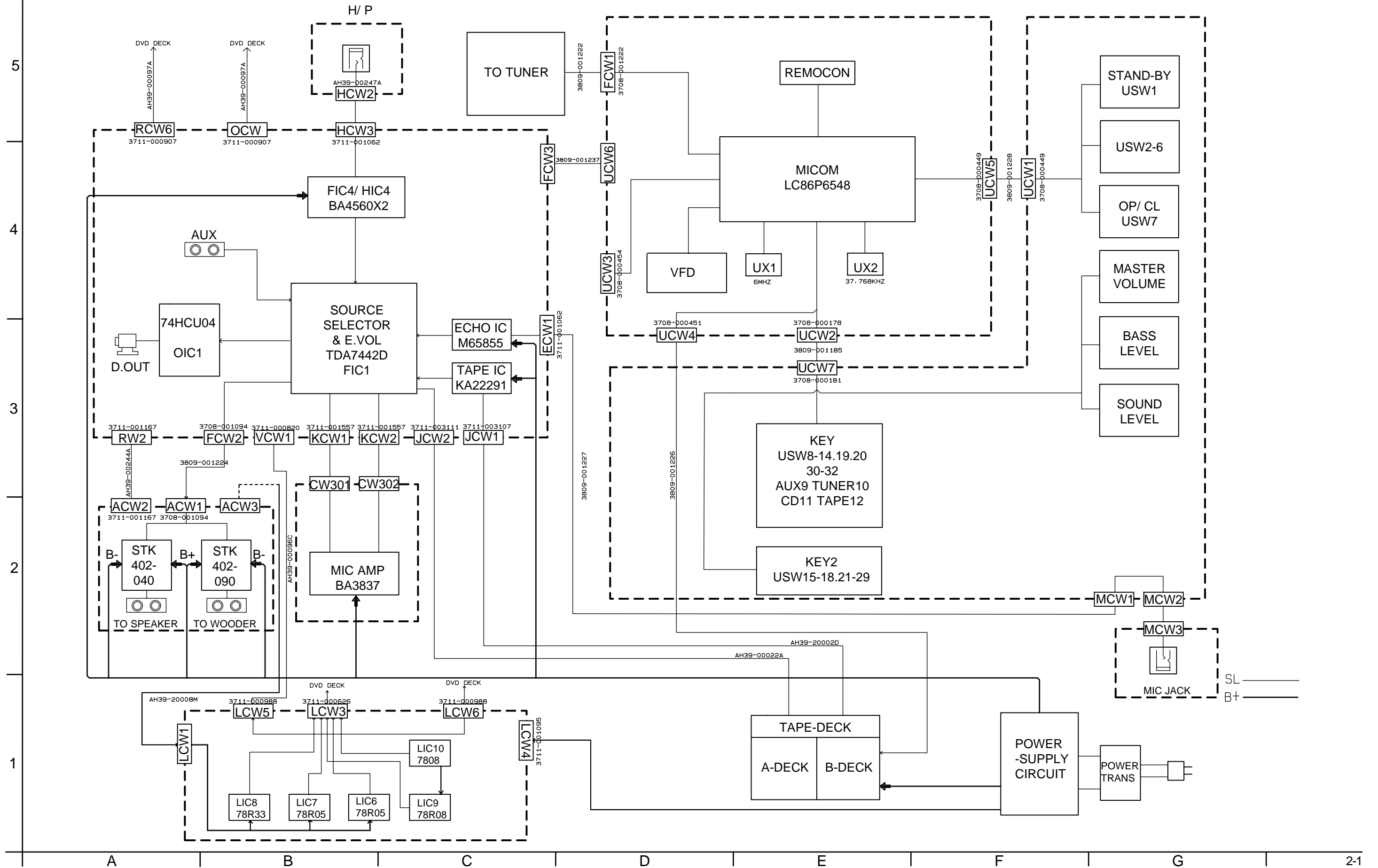


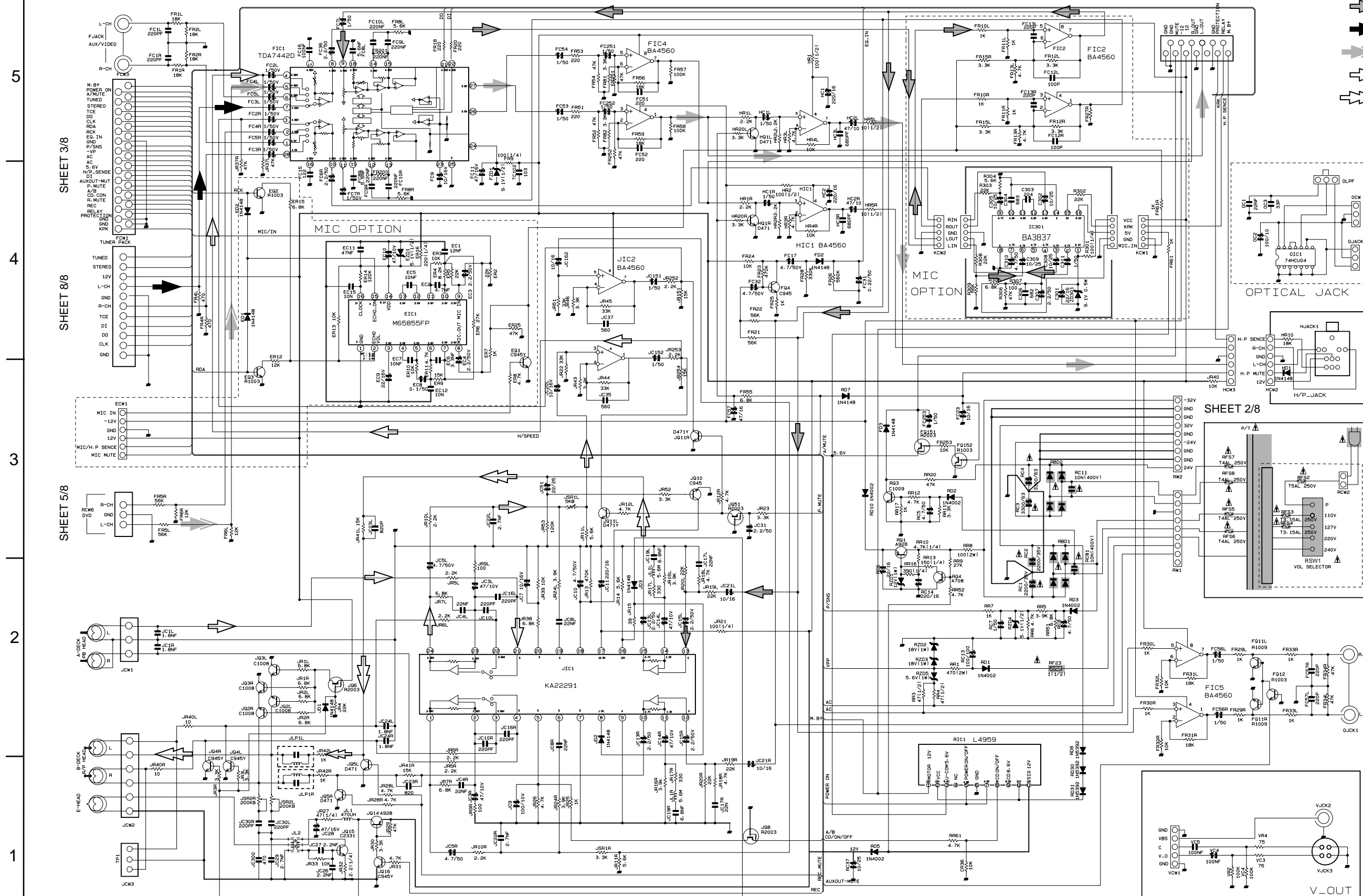
# Block diagram



# Standard schematic diagrams

## ■ Main section

- ➔ MAIN signal
- ➔ PRE MAIN signal
- ➔ TUNER signal
- ➔ CD signal
- ➔ TAPE P.B. signal
- ➔ TAPE REC. signal

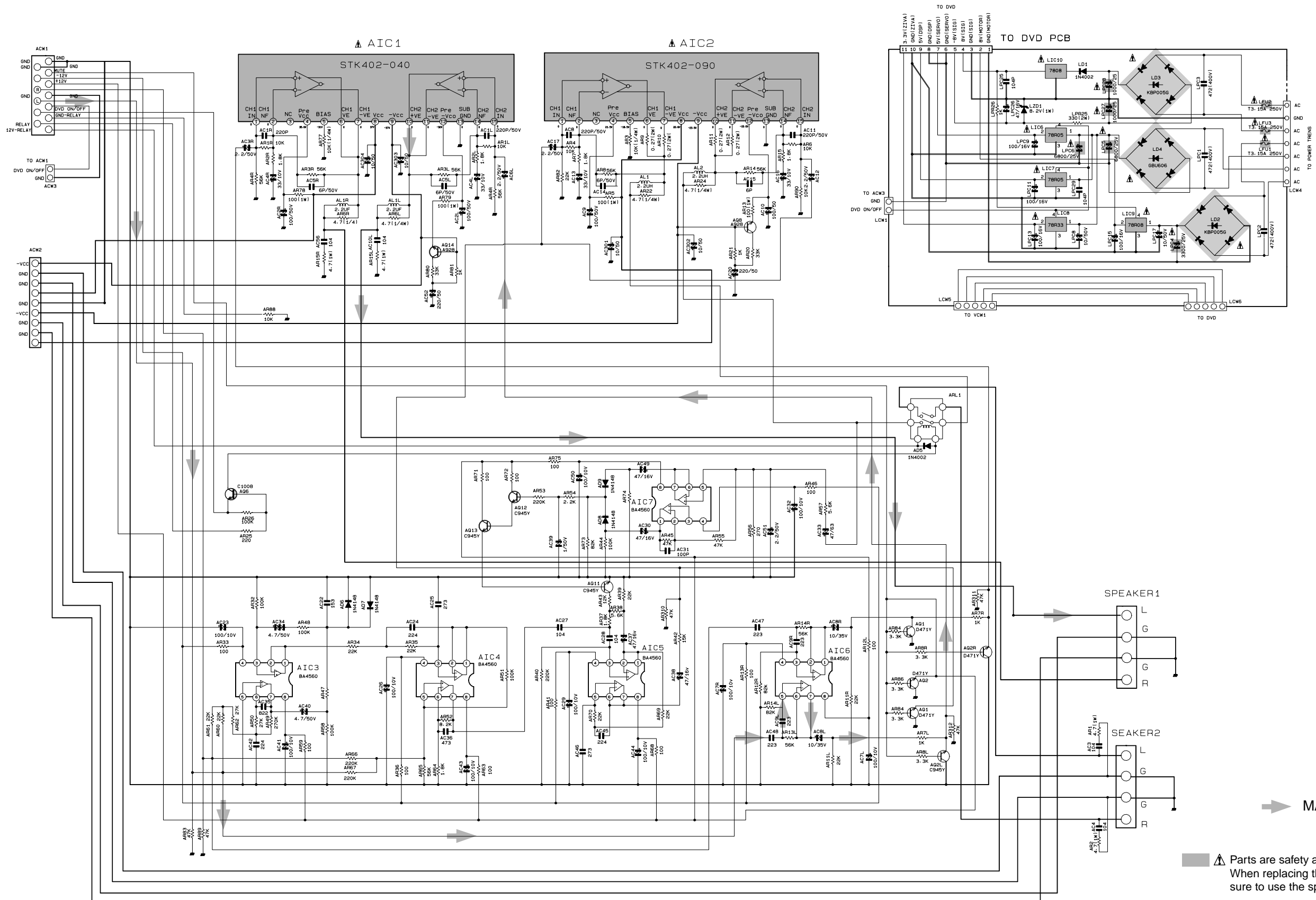


⚠ Parts are safety assurance parts.  
When replacing those parts make sure to use the specified one.

Amplifier section

SHEET 1/8

SHEET 1/8



▲ Parts are safety assurance parts.  
When replacing those parts make  
sure to use the specified one.

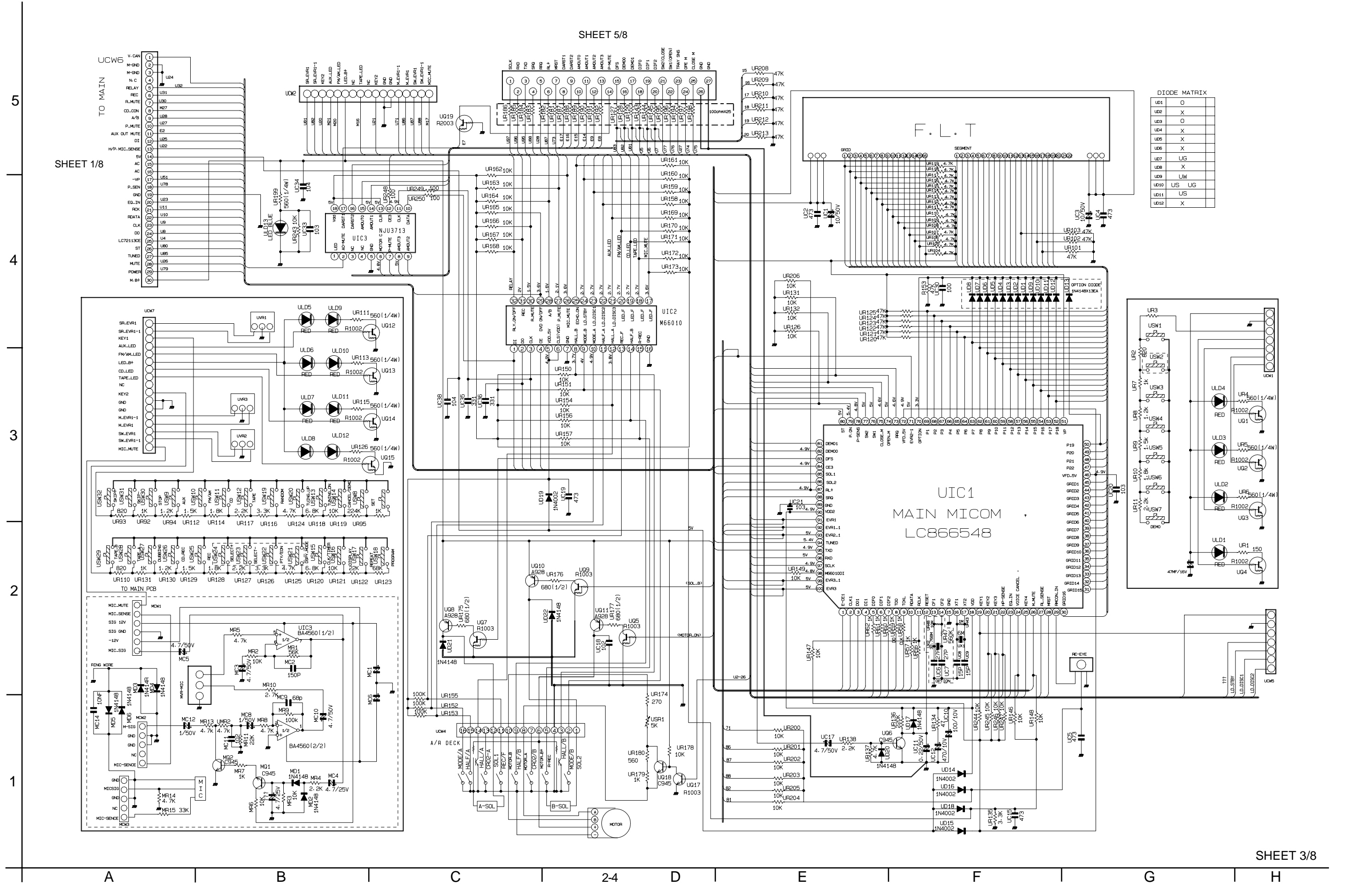
➔ MAIN Signal

Front control section

SHEET 1/8

DIODE MATRIX

UD1	O
UD2	X
UD3	O
UD4	X
UD5	X
UD6	X
UD7	UG
UD8	X
UD9	UW
UD10	US UG
UD11	US
UD12	X



Main / Ziva section

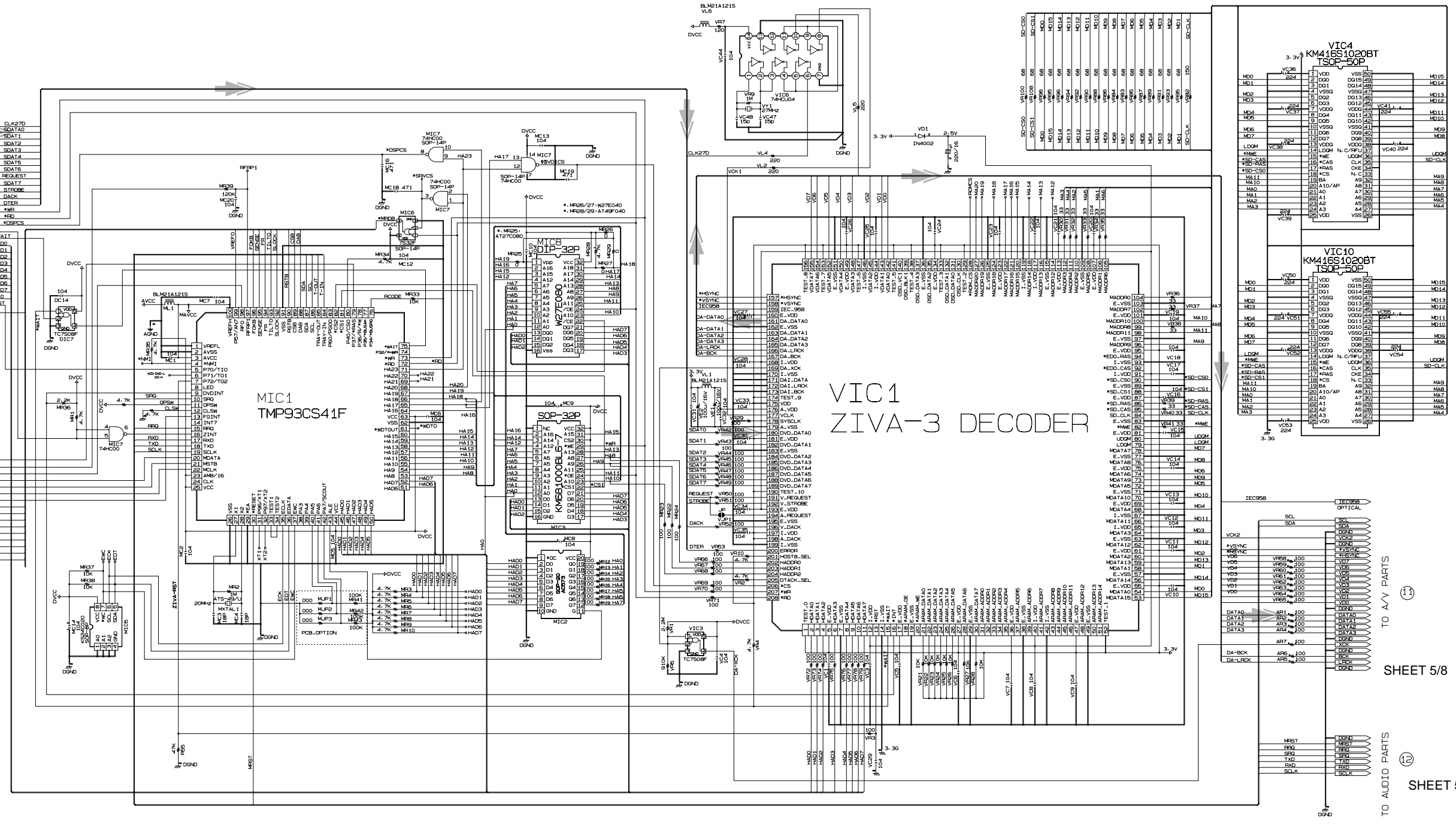
Z1AV VOLTAGE 2.5V  
12- 40- 65- 91- 117- 144- 168- 193

5  
4  
3  
2  
1

SHEET 6/8

SHEET 6/8 or 7/8

- RIC11791 RFP
- RIC11792 RFB
- RIC11793 RFD
- RIC11794 RFE
- RIC11795 RFG
- RIC11796 RFH
- RIC11797 RFI
- RIC11798 RFI
- RIC11799 RFI
- RIC11800 RFI
- RIC11801 RFI
- RIC11802 RFI
- RIC11803 RFI
- RIC11804 RFI
- RIC11805 RFI
- RIC11806 RFI
- RIC11807 RFI
- RIC11808 RFI
- RIC11809 RFI
- RIC11810 RFI
- RIC11811 RFI
- RIC11812 RFI
- RIC11813 RFI
- RIC11814 RFI
- RIC11815 RFI
- RIC11816 RFI
- RIC11817 RFI
- RIC11818 RFI
- RIC11819 RFI
- RIC11820 RFI
- RIC11821 RFI
- RIC11822 RFI
- RIC11823 RFI
- RIC11824 RFI
- RIC11825 RFI
- RIC11826 RFI
- RIC11827 RFI
- RIC11828 RFI
- RIC11829 RFI
- RIC11830 RFI
- RIC11831 RFI
- RIC11832 RFI
- RIC11833 RFI
- RIC11834 RFI
- RIC11835 RFI
- RIC11836 RFI
- RIC11837 RFI
- RIC11838 RFI
- RIC11839 RFI
- RIC11840 RFI
- RIC11841 RFI
- RIC11842 RFI
- RIC11843 RFI
- RIC11844 RFI
- RIC11845 RFI
- RIC11846 RFI
- RIC11847 RFI
- RIC11848 RFI
- RIC11849 RFI
- RIC11850 RFI
- RIC11851 RFI
- RIC11852 RFI
- RIC11853 RFI
- RIC11854 RFI
- RIC11855 RFI
- RIC11856 RFI
- RIC11857 RFI
- RIC11858 RFI
- RIC11859 RFI
- RIC11860 RFI
- RIC11861 RFI
- RIC11862 RFI
- RIC11863 RFI
- RIC11864 RFI
- RIC11865 RFI
- RIC11866 RFI
- RIC11867 RFI
- RIC11868 RFI
- RIC11869 RFI
- RIC11870 RFI
- RIC11871 RFI
- RIC11872 RFI
- RIC11873 RFI
- RIC11874 RFI
- RIC11875 RFI
- RIC11876 RFI
- RIC11877 RFI
- RIC11878 RFI
- RIC11879 RFI
- RIC11880 RFI
- RIC11881 RFI
- RIC11882 RFI
- RIC11883 RFI
- RIC11884 RFI
- RIC11885 RFI
- RIC11886 RFI
- RIC11887 RFI
- RIC11888 RFI
- RIC11889 RFI
- RIC11890 RFI
- RIC11891 RFI
- RIC11892 RFI
- RIC11893 RFI
- RIC11894 RFI
- RIC11895 RFI
- RIC11896 RFI
- RIC11897 RFI
- RIC11898 RFI
- RIC11899 RFI
- RIC11900 RFI
- RIC11901 RFI
- RIC11902 RFI
- RIC11903 RFI
- RIC11904 RFI
- RIC11905 RFI
- RIC11906 RFI
- RIC11907 RFI
- RIC11908 RFI
- RIC11909 RFI
- RIC11910 RFI
- RIC11911 RFI
- RIC11912 RFI
- RIC11913 RFI
- RIC11914 RFI
- RIC11915 RFI
- RIC11916 RFI
- RIC11917 RFI
- RIC11918 RFI
- RIC11919 RFI
- RIC11920 RFI
- RIC11921 RFI
- RIC11922 RFI
- RIC11923 RFI
- RIC11924 RFI
- RIC11925 RFI
- RIC11926 RFI
- RIC11927 RFI
- RIC11928 RFI
- RIC11929 RFI
- RIC11930 RFI
- RIC11931 RFI
- RIC11932 RFI
- RIC11933 RFI
- RIC11934 RFI
- RIC11935 RFI
- RIC11936 RFI
- RIC11937 RFI
- RIC11938 RFI
- RIC11939 RFI
- RIC11940 RFI
- RIC11941 RFI
- RIC11942 RFI
- RIC11943 RFI
- RIC11944 RFI
- RIC11945 RFI
- RIC11946 RFI
- RIC11947 RFI
- RIC11948 RFI
- RIC11949 RFI
- RIC11950 RFI
- RIC11951 RFI
- RIC11952 RFI
- RIC11953 RFI
- RIC11954 RFI
- RIC11955 RFI
- RIC11956 RFI
- RIC11957 RFI
- RIC11958 RFI
- RIC11959 RFI
- RIC11960 RFI
- RIC11961 RFI
- RIC11962 RFI
- RIC11963 RFI
- RIC11964 RFI
- RIC11965 RFI
- RIC11966 RFI
- RIC11967 RFI
- RIC11968 RFI
- RIC11969 RFI
- RIC11970 RFI
- RIC11971 RFI
- RIC11972 RFI
- RIC11973 RFI
- RIC11974 RFI
- RIC11975 RFI
- RIC11976 RFI
- RIC11977 RFI
- RIC11978 RFI
- RIC11979 RFI
- RIC11980 RFI
- RIC11981 RFI
- RIC11982 RFI
- RIC11983 RFI
- RIC11984 RFI
- RIC11985 RFI
- RIC11986 RFI
- RIC11987 RFI
- RIC11988 RFI
- RIC11989 RFI
- RIC11990 RFI
- RIC11991 RFI
- RIC11992 RFI
- RIC11993 RFI
- RIC11994 RFI
- RIC11995 RFI
- RIC11996 RFI
- RIC11997 RFI
- RIC11998 RFI
- RIC11999 RFI
- RIC12000 RFI



CD signal

SHEET 5/8

SHEET 5/8

SHEET 4/8

DVD Audio section

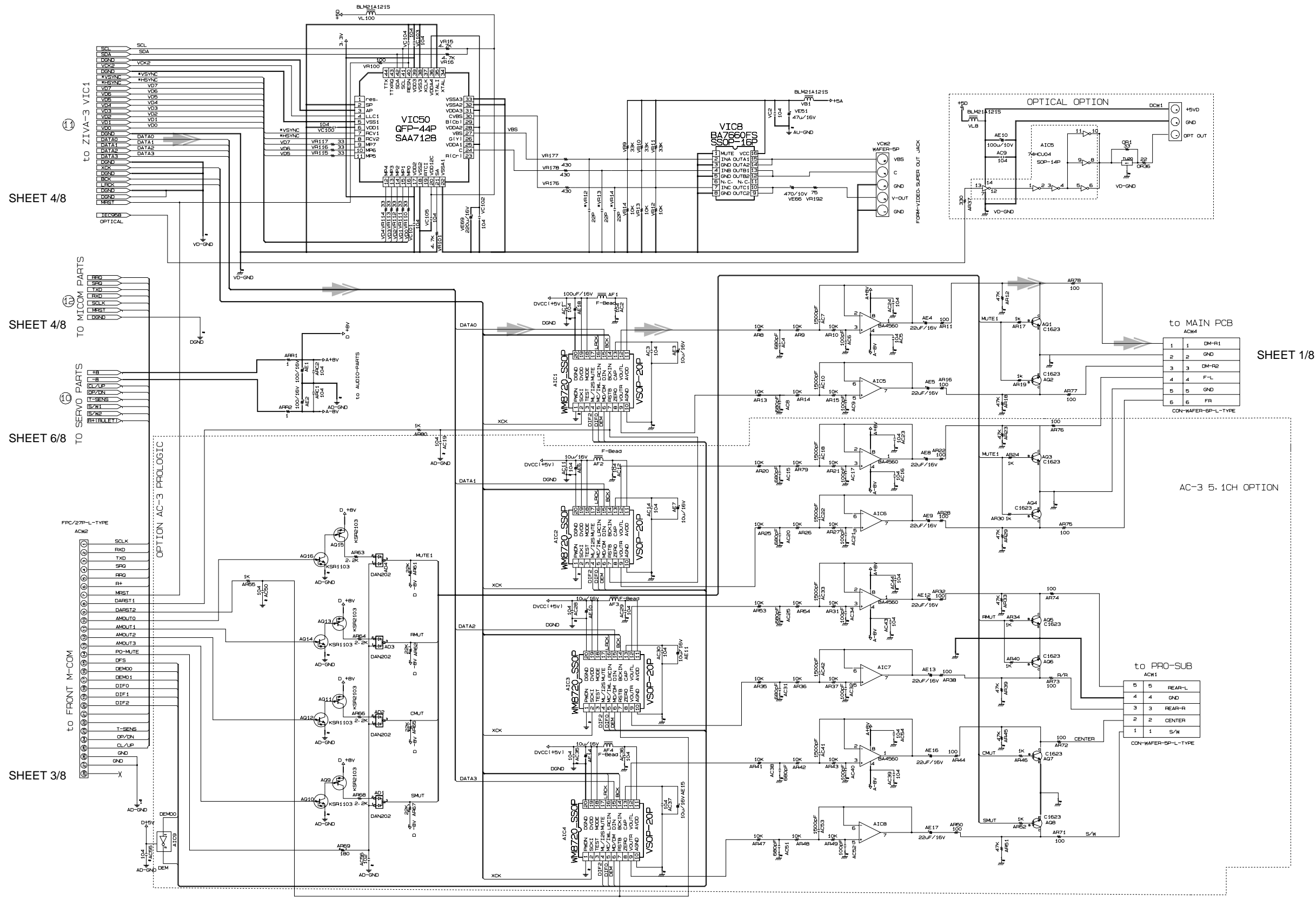
5

4

3

2

1



SHEET 4/8

SHEET 4/8

SHEET 6/8

SHEET 3/8

SHEET 1/8

➔ CD signal

DVD servo section

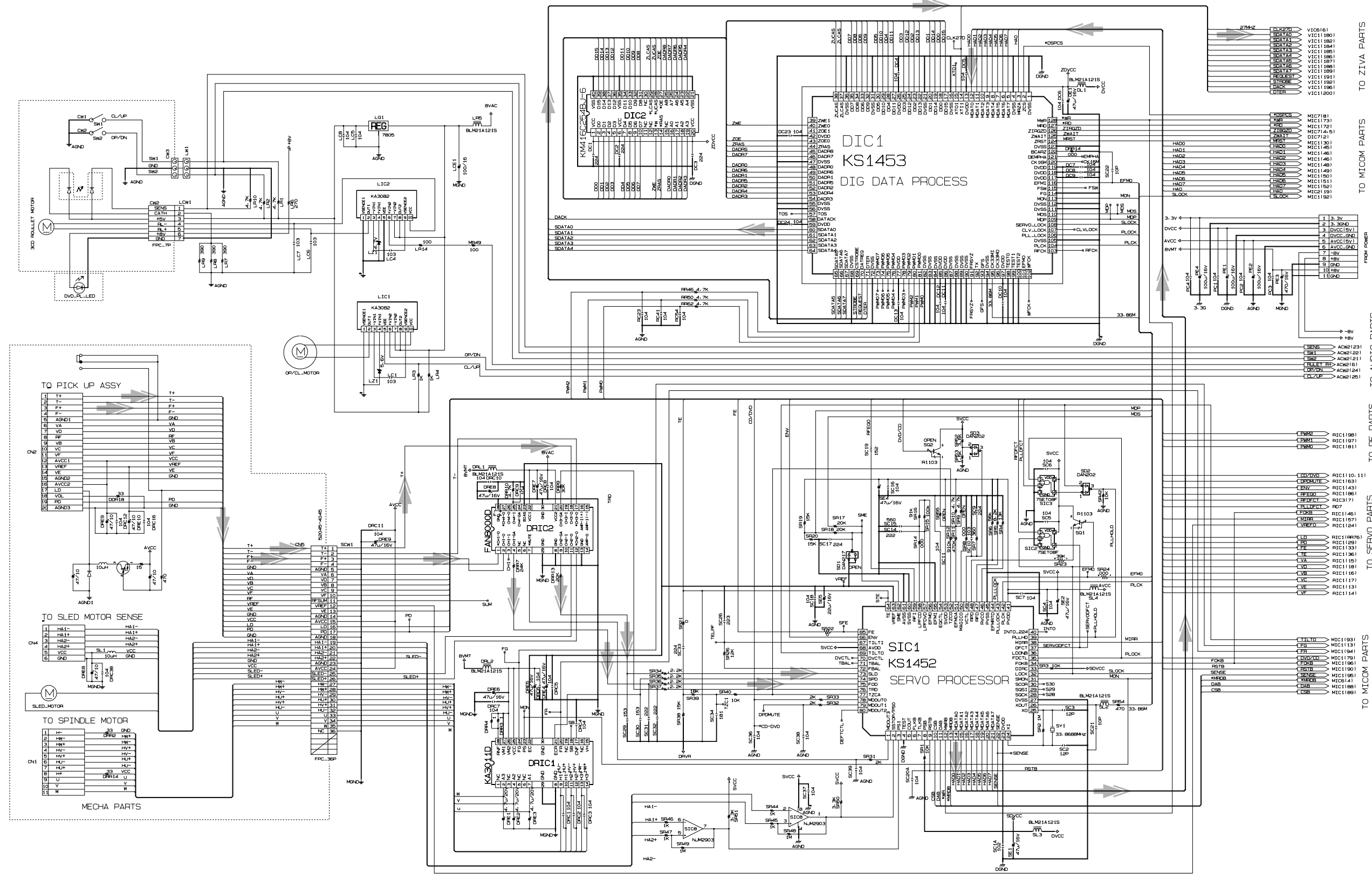
5

4

3

2

1



TO ZIVA PARTS  
⑥ SHEET 4/8

TO MICON PARTS  
⑦ SHEET 4/8

TO AUTO PARTS  
⑩ SHEET 5/8

TO RF PARTS  
④ SHEET 7/8

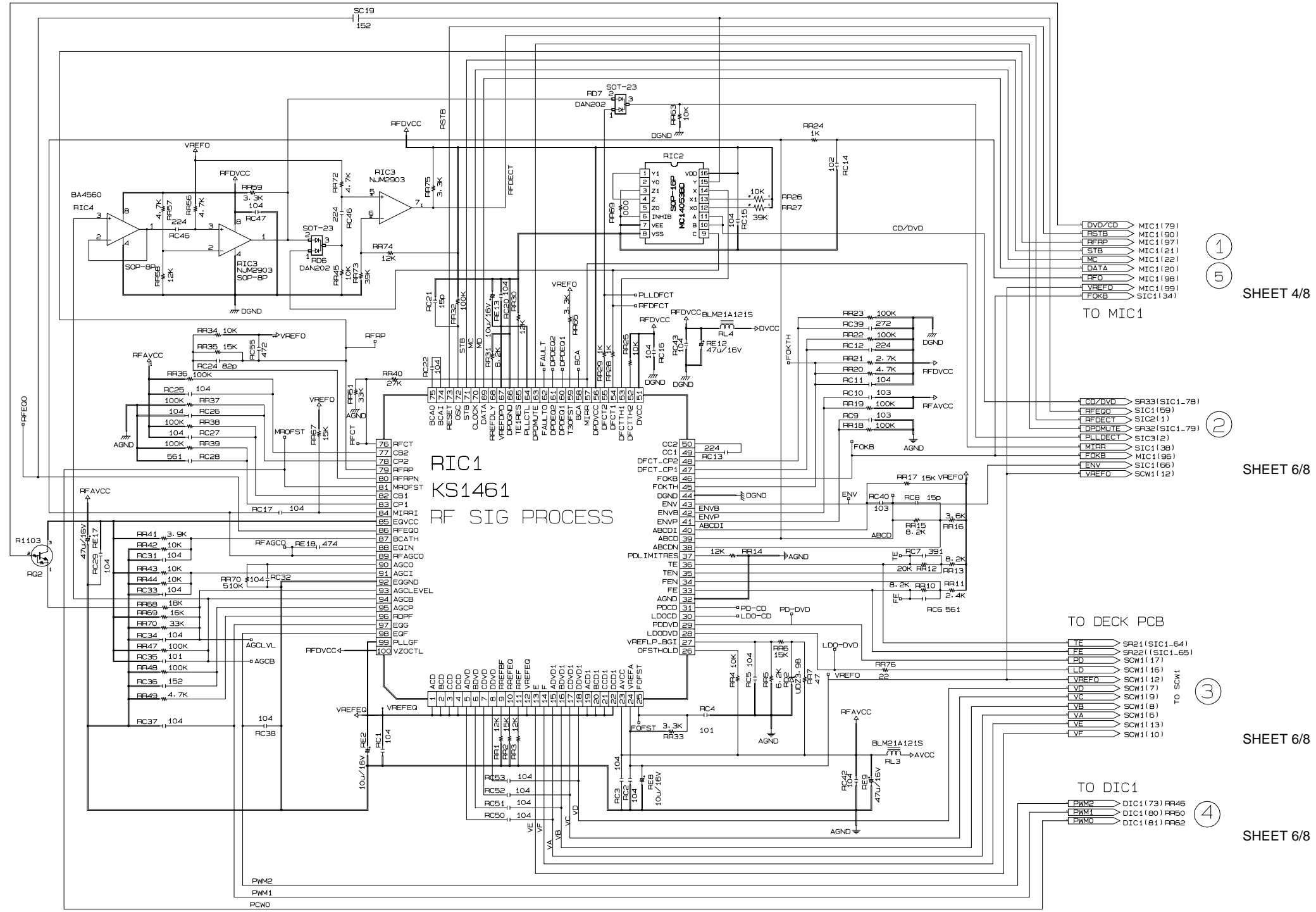
TO SERVO PARTS  
⑧ SHEET 7/8

TO SERVO PARTS  
③ SHEET 7/8

TO MICON PARTS  
⑤ SHEET 4/8

➔ CD signal

DVD RF section



①  
⑤ SHEET 4/8

② SHEET 6/8

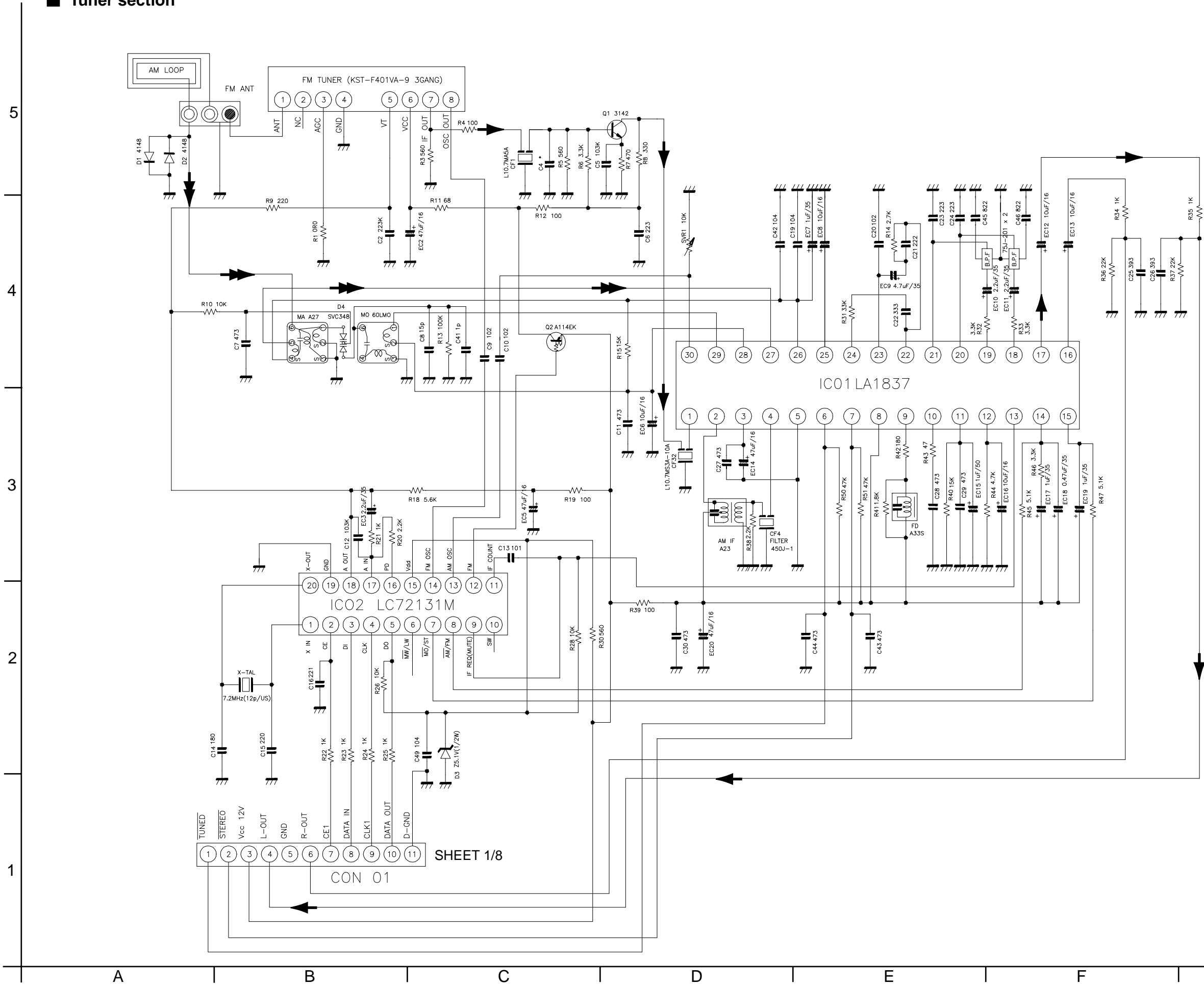
③ SHEET 6/8

④ SHEET 6/8

5  
4  
3  
2  
1



Tuner section



 FM/TUNER SIGNAL  
 AM SIGNAL

SHEET 1/8

# Printed circuit boards

## ■ Main board

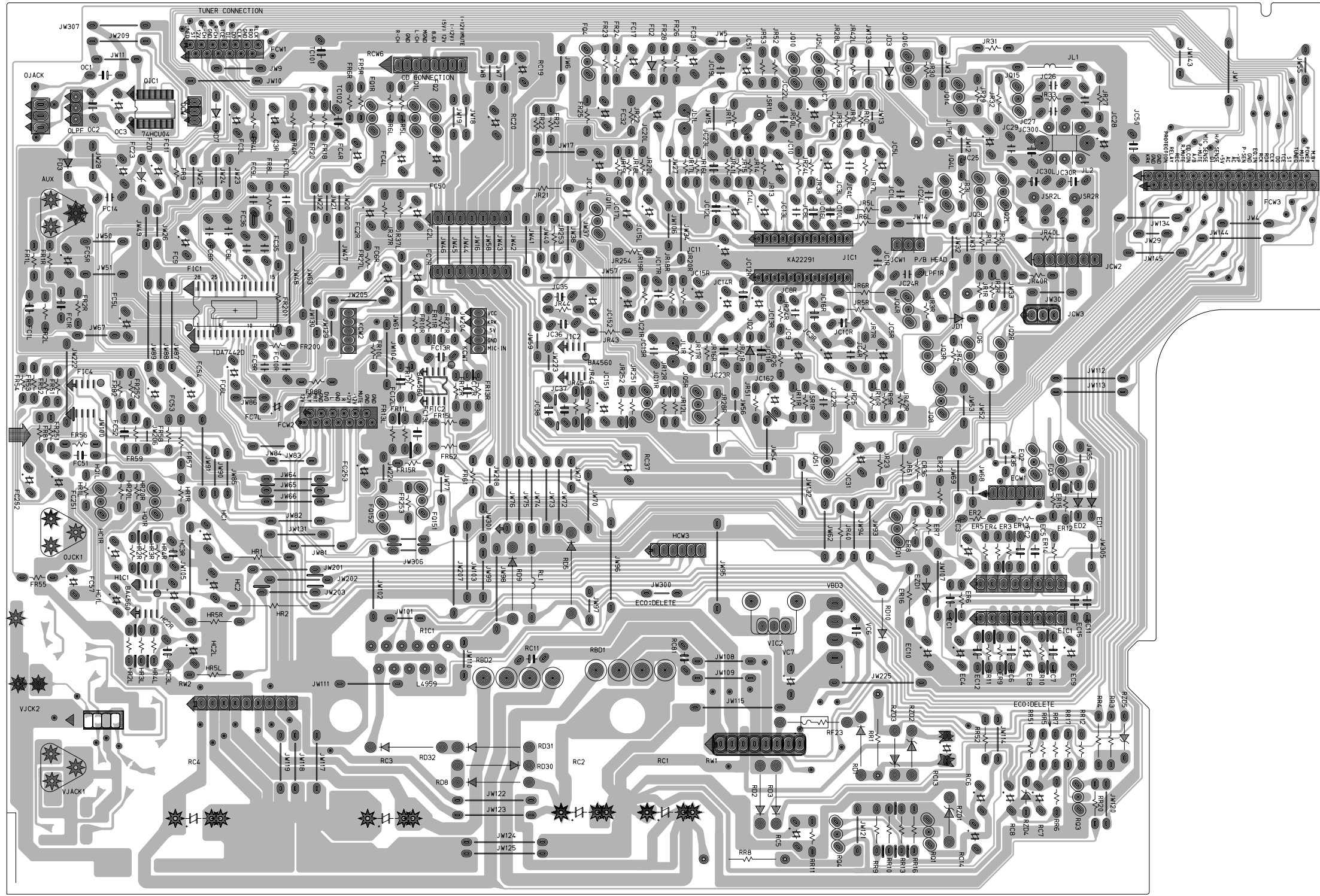
5

4

3

2

1



A

B

C

2-10

D

E

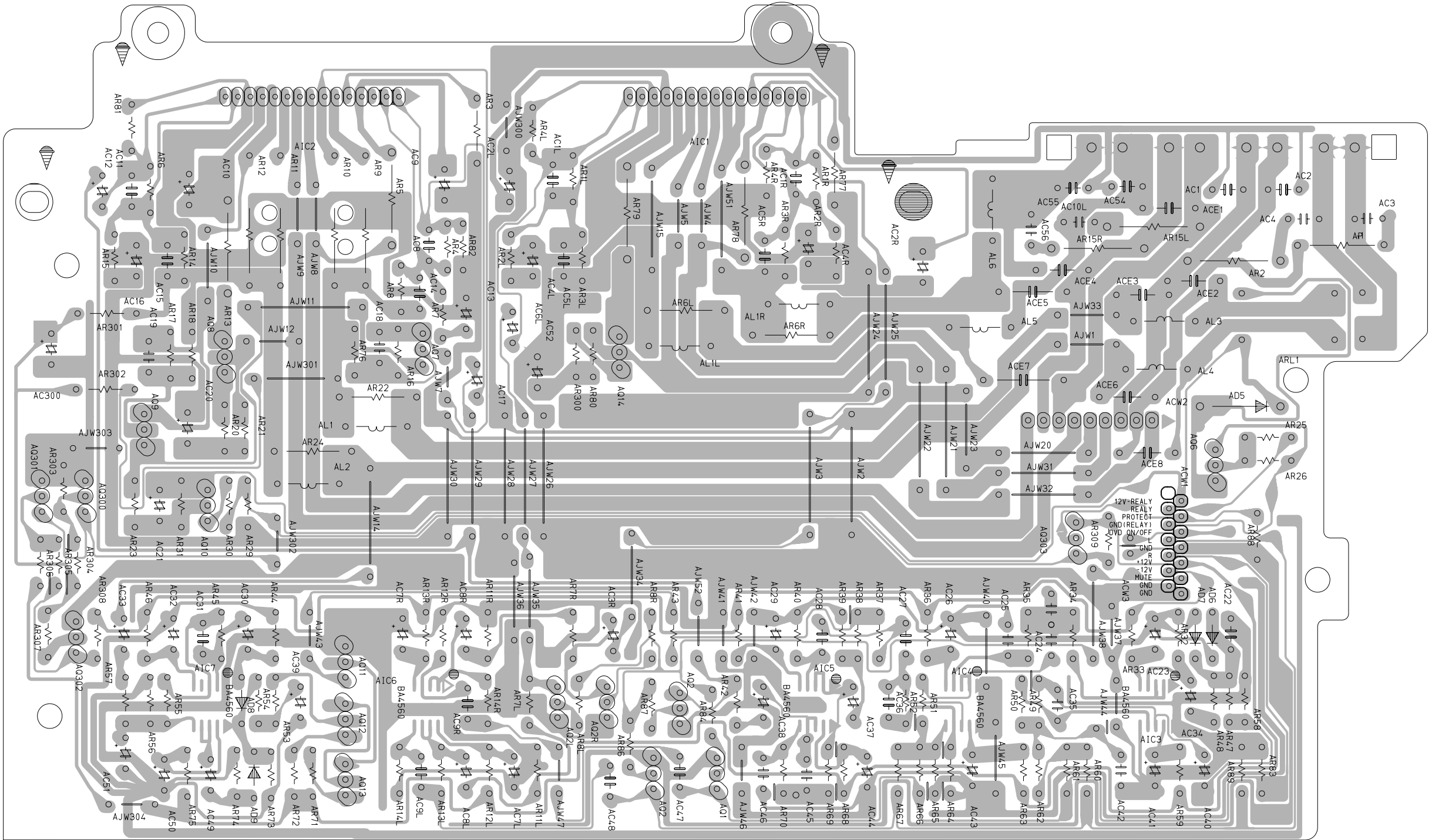
F

G

H

AMP board

5  
4  
3  
2  
1



A B C D E F G

■ Front board

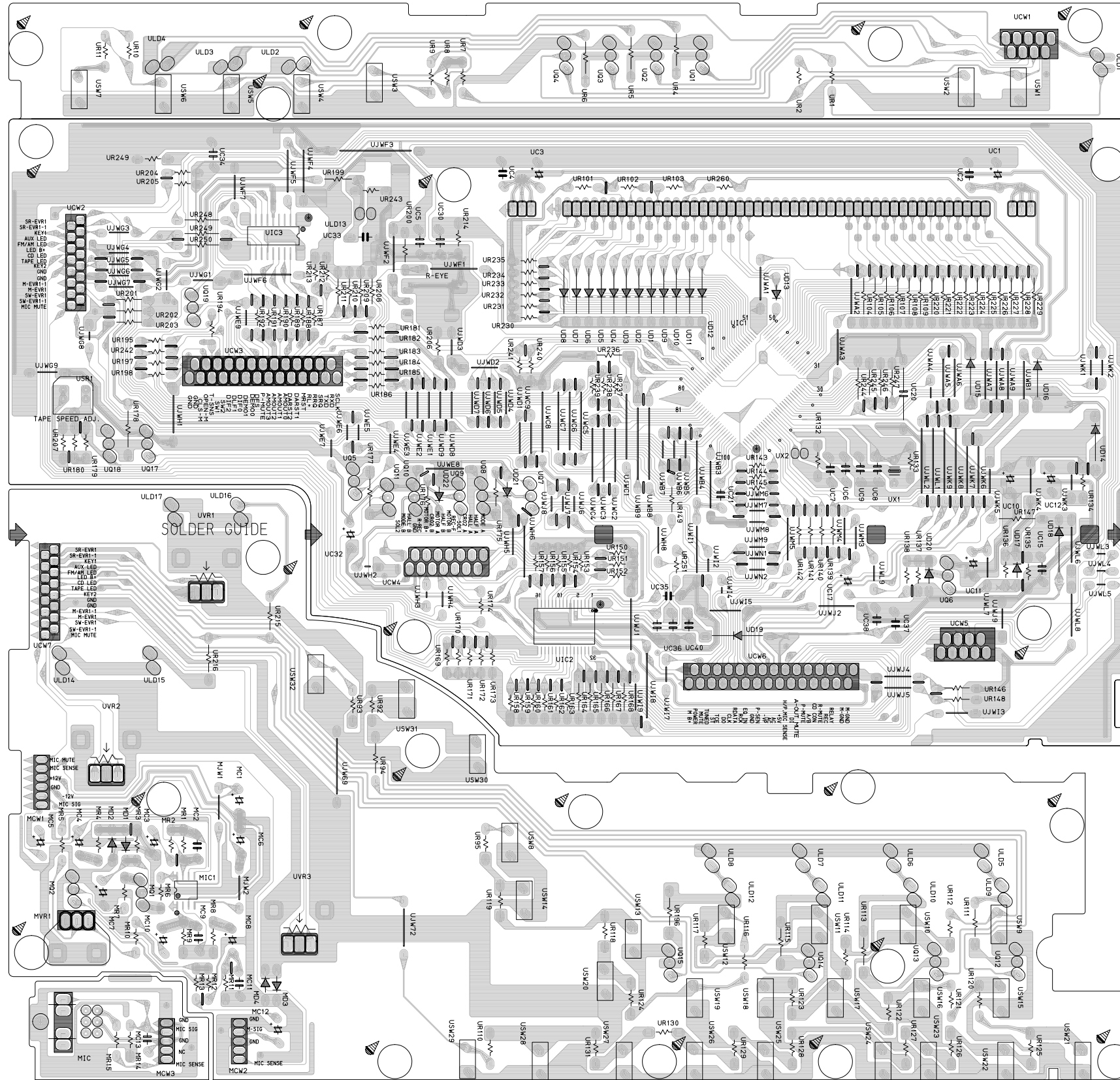
5

4

3

2

1



Power / CD switch board

FL display & system control board

Front key switch board

A

B

C

2-12

D

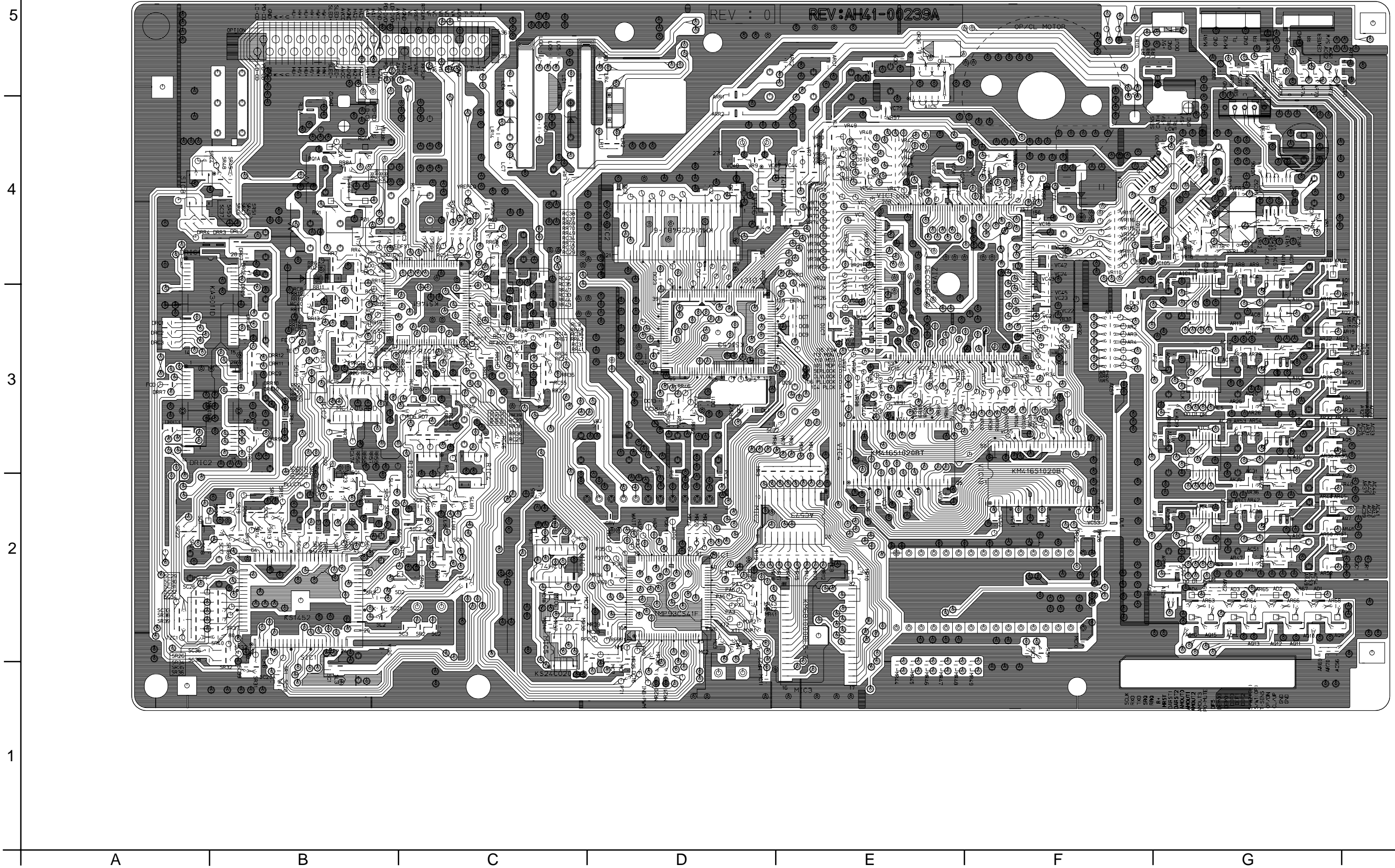
E

F

G

H

■ DVD board (Top side)



■ DVD board (Bottom side)

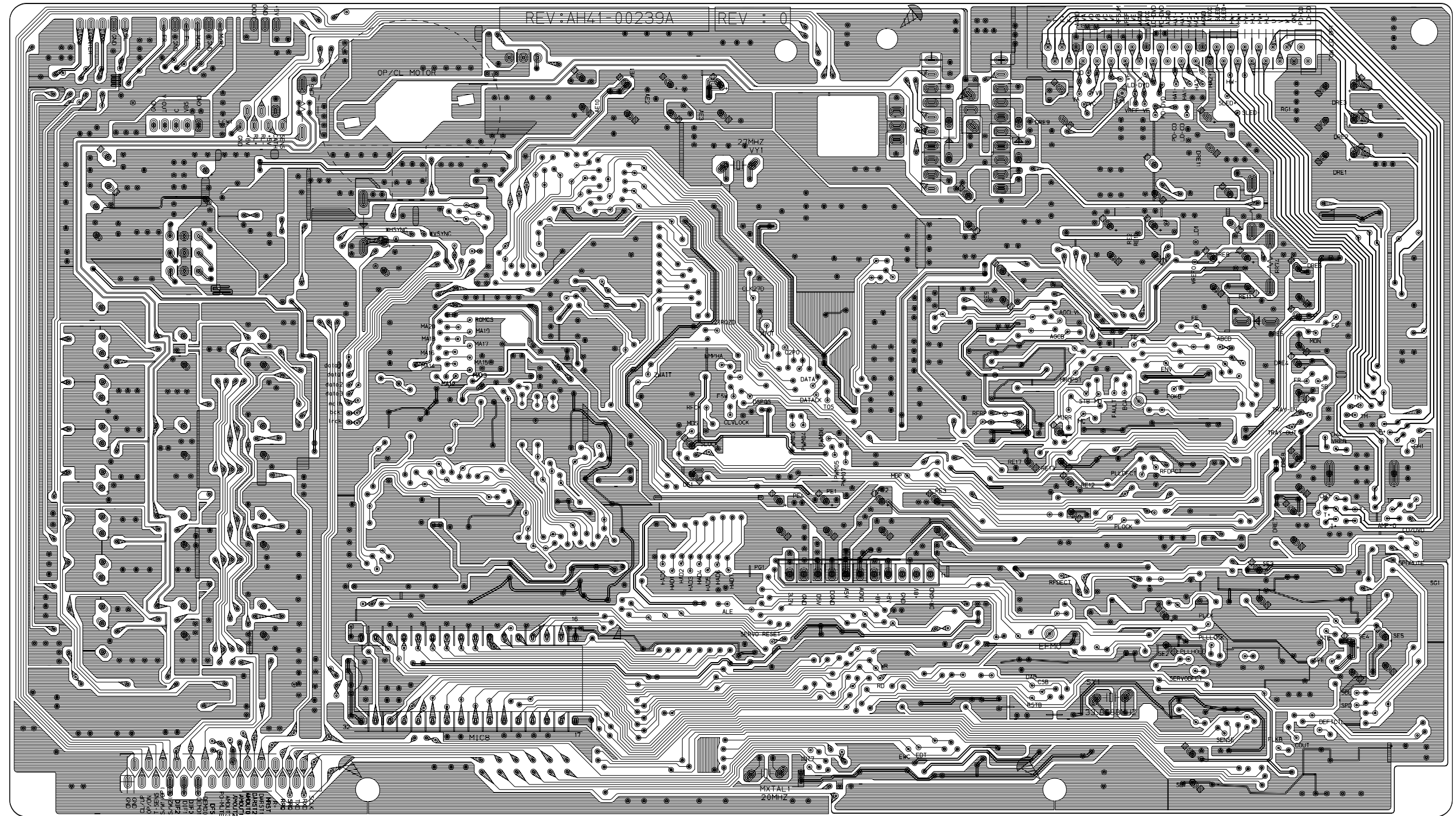
5

4

3

2

1



A

B

C

2-14

D

E

F

G

H

■ DVD power board

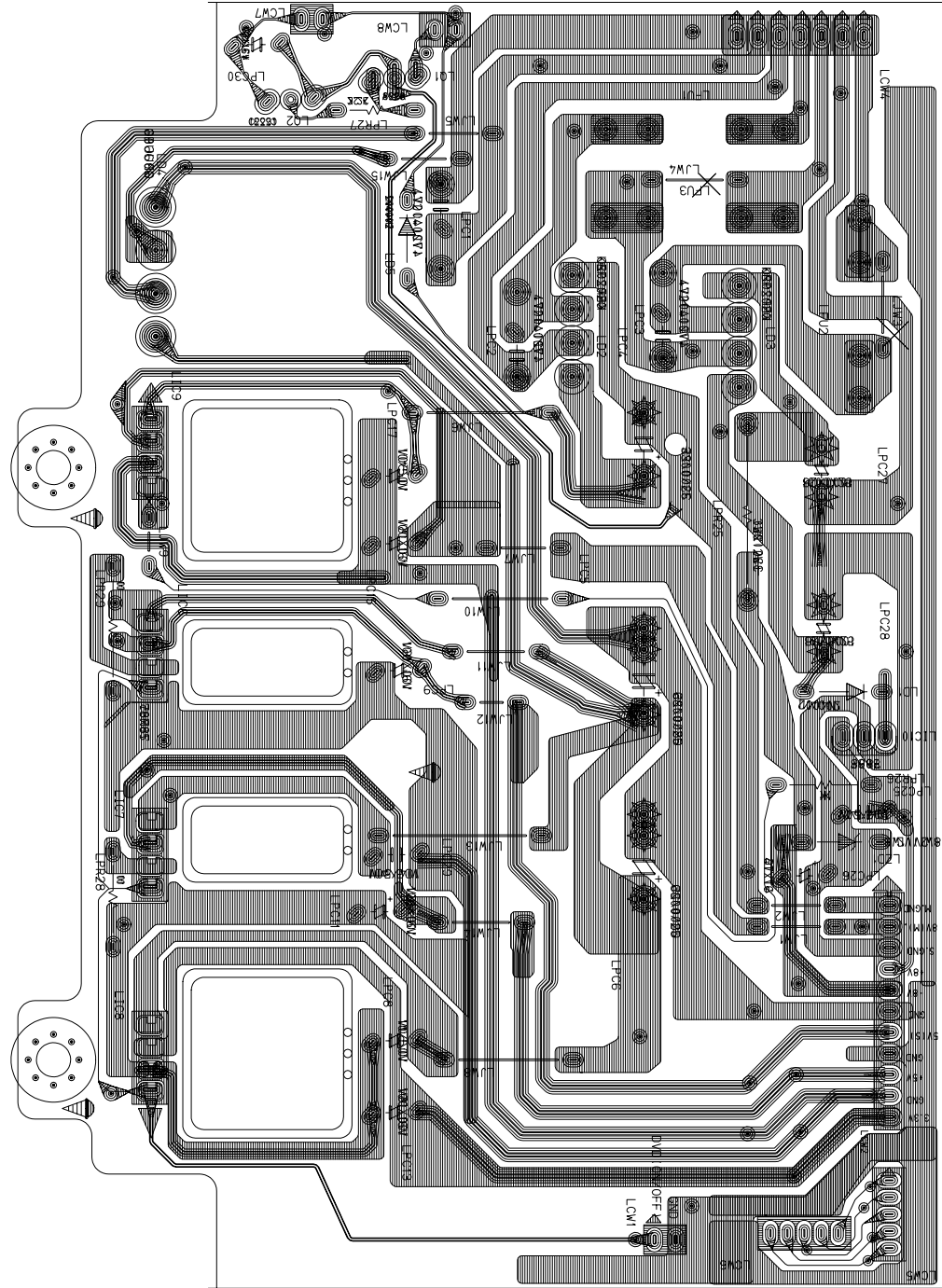
5

4

3

2

1



A

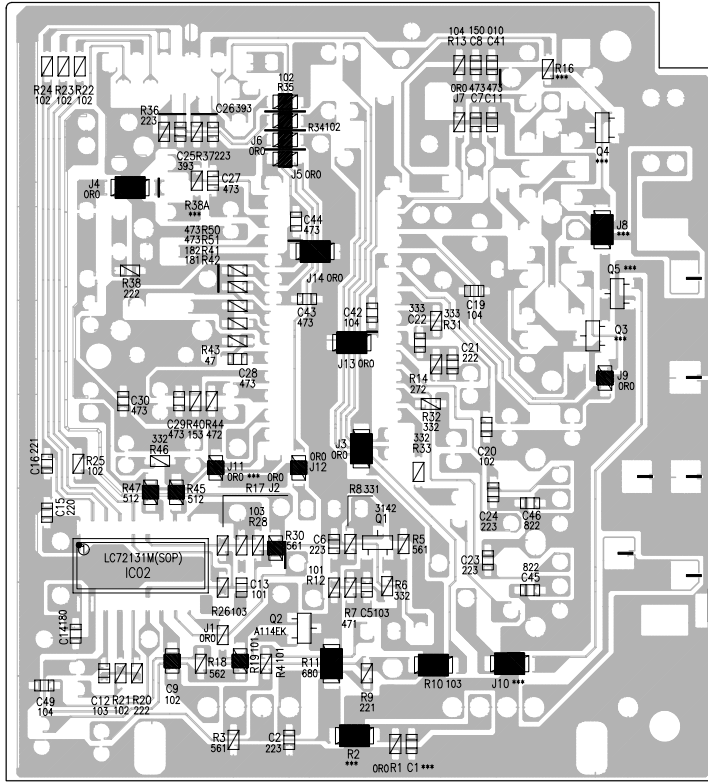
B

C

D

■ Tuner board

5

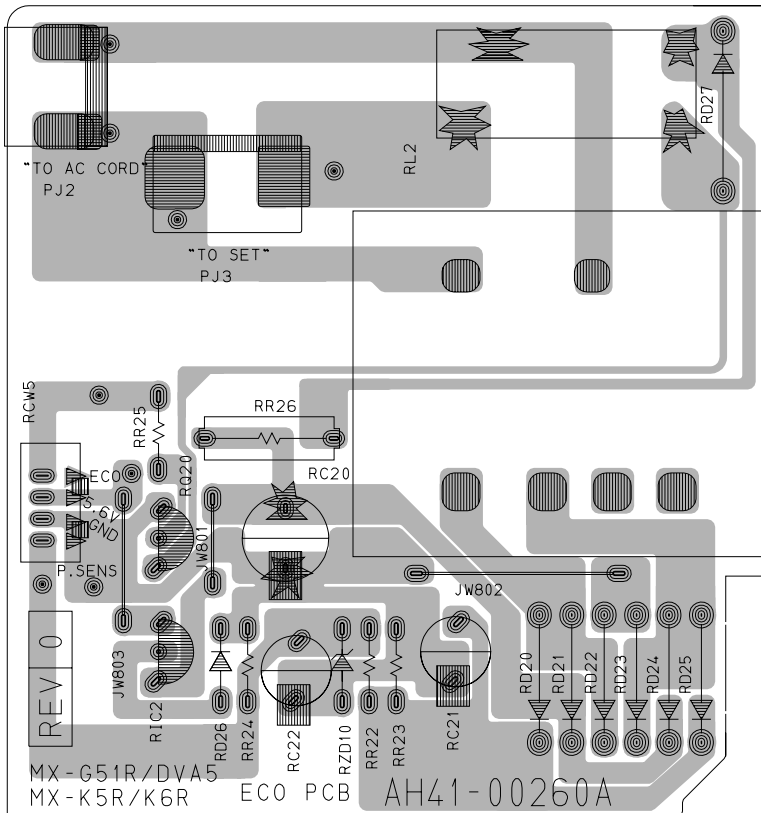


4

3

■ Eco board

2



1

MX-G51R/DVA5  
 MX-K5R/K6R  
 ECO PCB  
 AH41-00260A

A

B

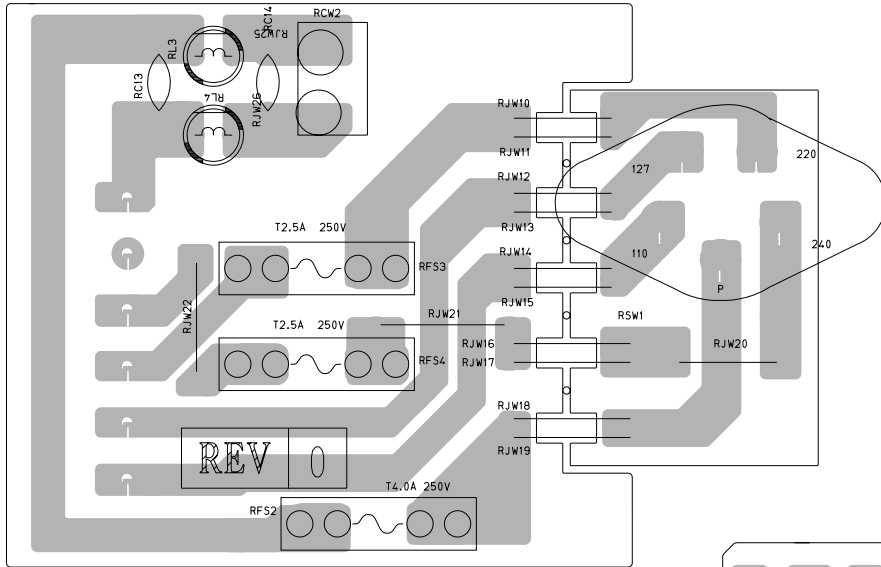
C

D

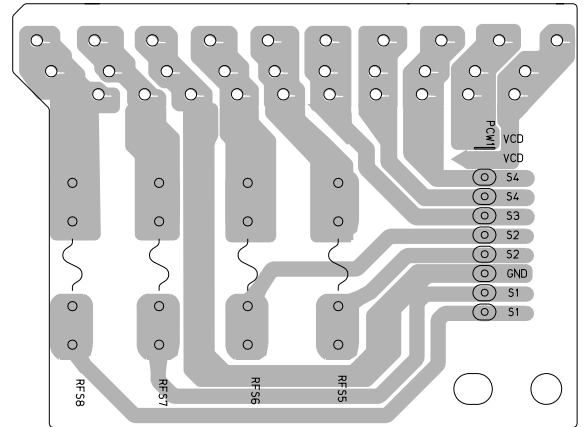


■ Power transformer board

5



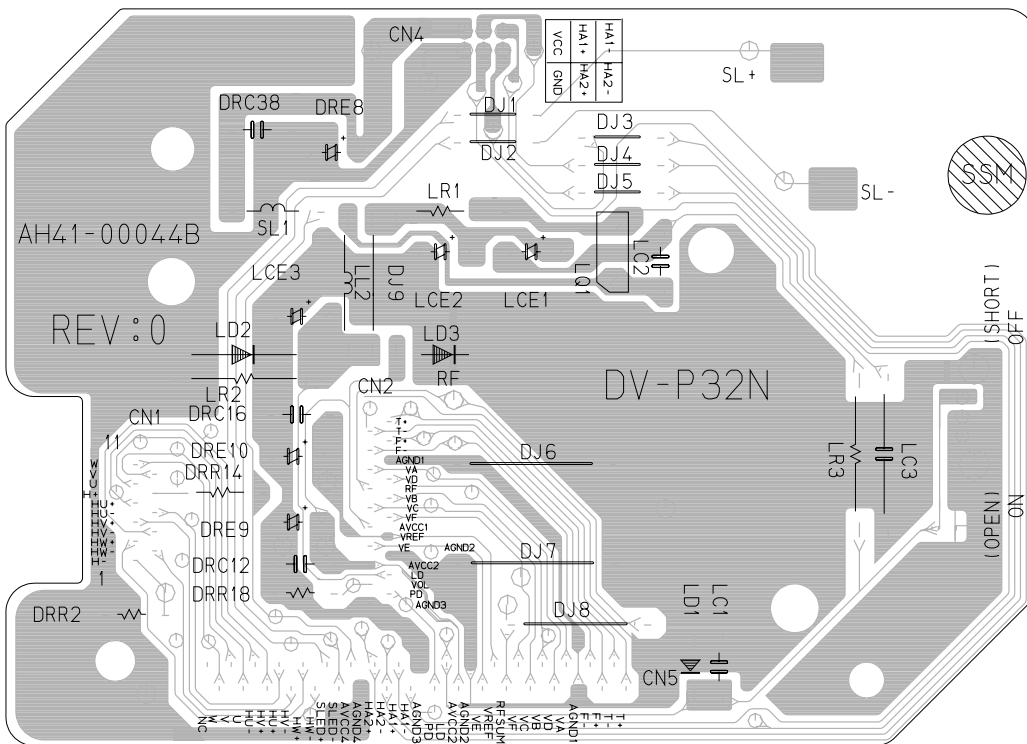
4



3

■ CD/ DVD drive board (CD/ DVD mechanism)

2



1

A

B

C

D